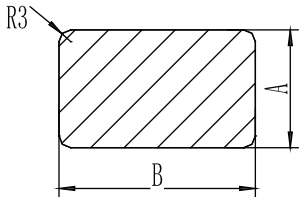
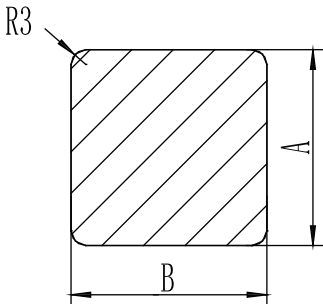


Crane rail  
Flat Bar



Type	B	A	Weight (kg/m)
Standard			
40×30	40	30	9.42
50×30	50	30	11.78
50×40	50	40	15.70
60×40	60	40	18.84
70×40	70	40	21.98
80×60	80	60	37.68
100×60	100	60	47.11
120×80	120	80	75.37

Other sizes are available



Type	B	A	Weight (kg/m)
Standard			
40×40	40	40	12.56
50×50	50	50	19.63
70×70	70	70	38.47
80×80	80	80	50.25
Customized			
30×30	30	30	7.07
60×60	60	60	28.26
90×90	90	90	63.59
100×100	100	100	78.51

Flat Bar Cutting Design

