

## High Tro - Reel System

Mobile Electrification System

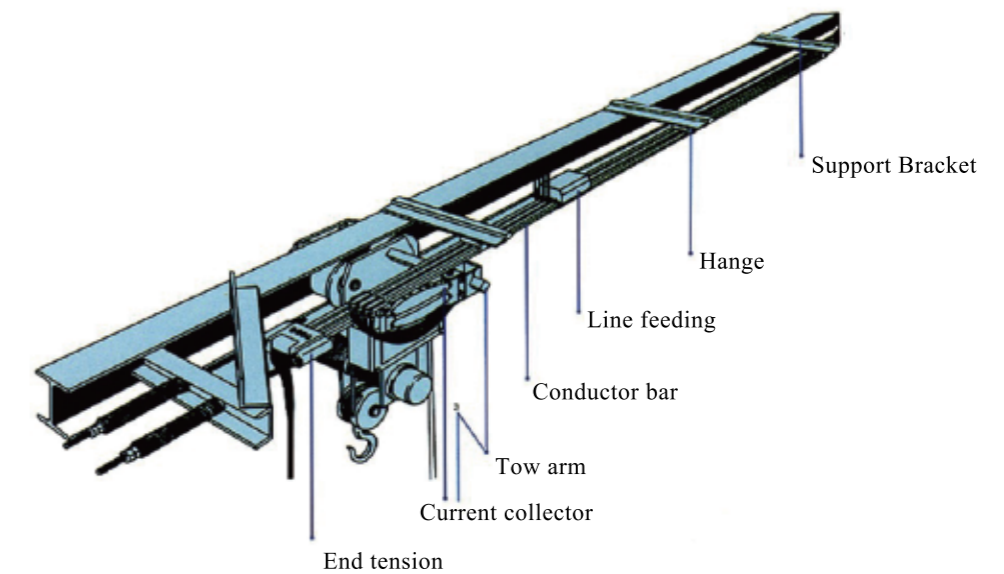
Catalogue

HTR-3, HTR-4, HTR-6 Series



NANTE HTR series High Tro Reel System is a new Type of industrial mobile power feeding system. It can be 3, 4, 6 poles with current capacity from 50A to 140A.

- Safe, Stable, Seamless.
- Light weight, Simple structure, Easy for carry and install.
- Copper contact closely with insulated sleeve, no bad contact due to vibration.
- Insulated material is special formula PVC, which is impact resistant, uv resistant.
- Suitable for various kind of curve runway. ( Curve R.  $\geq 0.6m$  )



### Technical Data

Poles: 3P/ 4P/6P

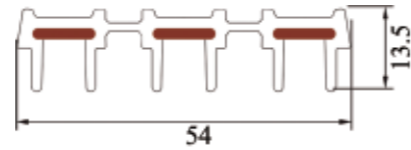
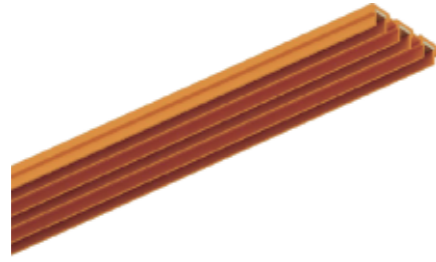
Max.current: 140A

Max.Voltage: 600V

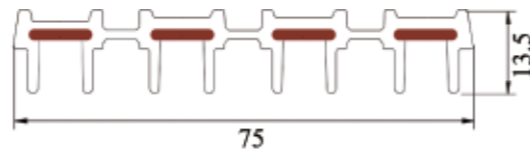
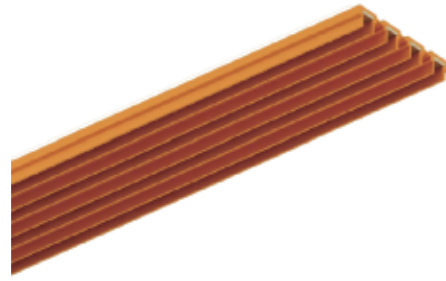
Material: Conductor Bar: Copper

Insulation: PVC ( heat resistance: 75°C )

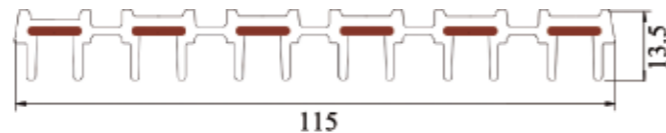
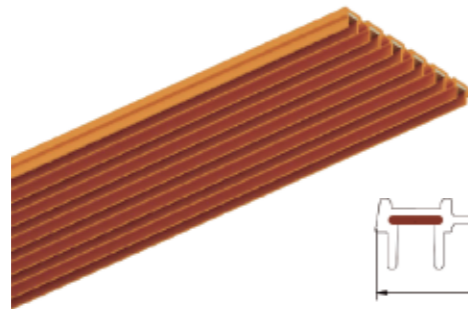
Sparts: Plastic / Gavlvaniated Steel



Type	Poles	Conductor Cross Section (mm <sup>2</sup> )	Max.Current (A)	Weight (kg/m)
HTR-3-10/50A	3	3x10	50A	0.57
HTR-3-15/80A	3	3x15	80A	0.73
HTR-3-20/100A	3	3x20	100A	0.85
HTR-3-25/120A	3	3x25	120A	0.98
HTR-3-35/140A	3	3x35	140A	1.27

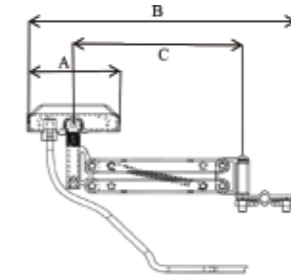


Type	Poles	Conductor Cross Section(mm <sup>2</sup> )	Max.Current (A)	Weight (kg/m)
HTR-4-10/50A	4	3x10+1x10	50A	0.75
HTR-4-15/80A	4	3x15+1x10	80A	0.90
HTR-4-20/100A	4	3x20+1x10	100A	1.05
HTR-4-25/120A	4	3x25+1x10	120A	1.15
HTR-4-35/140A	4	3x35+1x10	140A	1.43



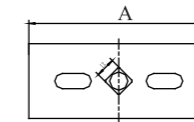
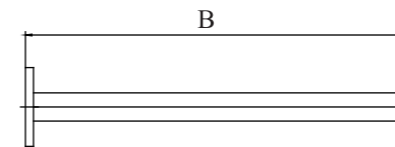
Type	Poles	Conductor Cross Section (mm <sup>2</sup> )	Max.Current (A)	Weight (kg/m)
HTR-6-10/50A	6	6x10	50A	1.10
HTR-6-15/80A	6	6x15	80A	1.50

HTR Accessories - Current Collector  
HTR-CC-3/60A / HTR-CC-4/60A / HTR-CC-6/60A



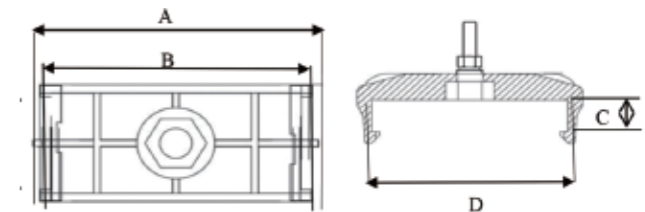
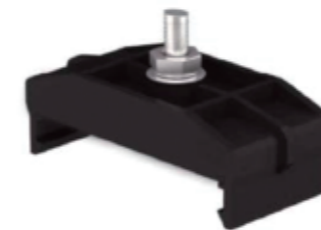
Type	A	B	C	Max.Voltage	Max. Current	Weight (kg)
HTR-CC-3/60A	90	300	175	600V	60A	0.30
HTR-CC-4/60A	90	300	175	600V	60A	0.40
HTR-CC-6/60A	90	300	175	600V	60A	0.60

HTR Accessories - Tow Arm  
HTR-TA



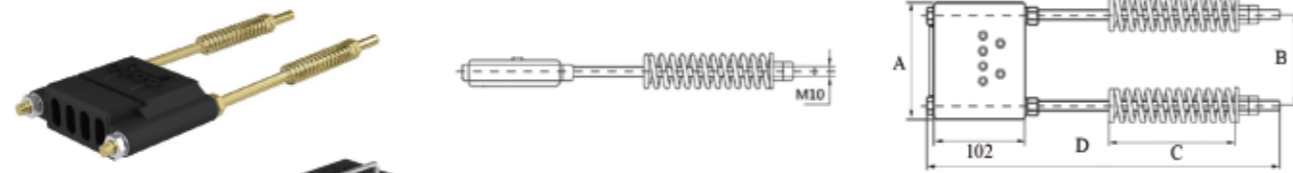
Type	A	B	Weight (kg)
HTR-TA	118	240	0.51

HTR Accessories - Hanger  
HTR-HG-300/400/600



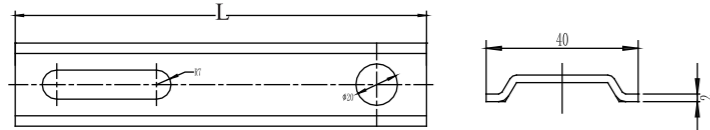
Type	Poles	A	B	C	D	Weight (kg)
HTR-HG-300	3	69	63	8.2	55	0.071
HTR-HG-400	4	88	82	8.2	75	0.075
HTR-HG-600	6	129	126	8.3	116	0.088

HTR Accessories - End Tensioner  
HTR-ET-300/400/600



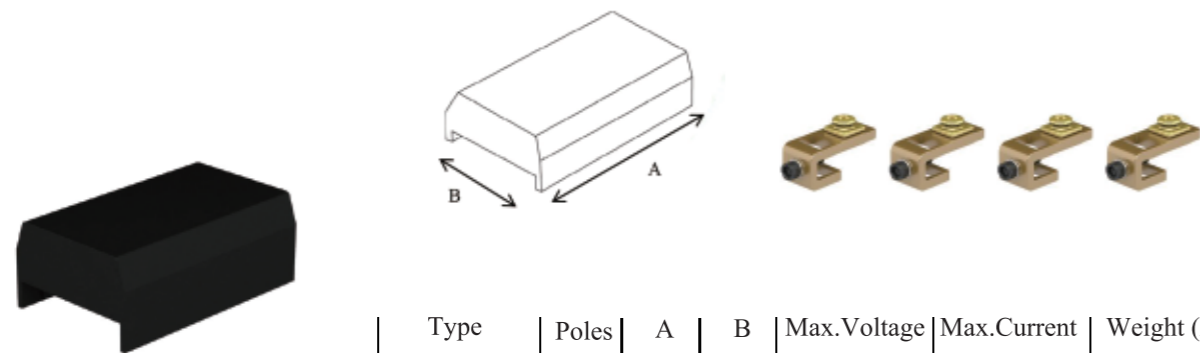
Type	Poles	A	B	C	D	Max.Voltage	Max.Current
HTR-ET-300	3	115	87	60	400	600V	140A
HTR-ET-400	4	133	109	100	400	600V	140A
HTR-ET-600	6	180	153	60	300	600V	140A

HTR Accessories - Support Bracket  
HTR-SB



Type	L	Weight (kg)
HTR-SB	200	0.1

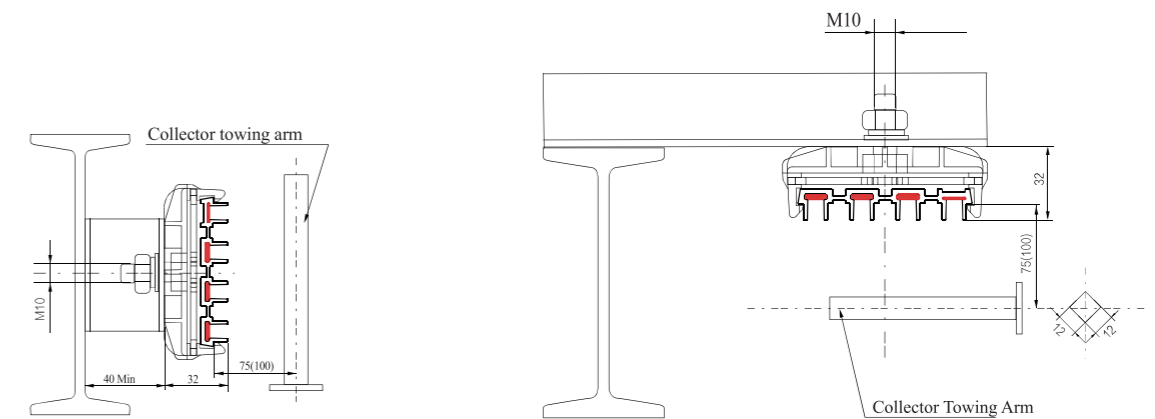
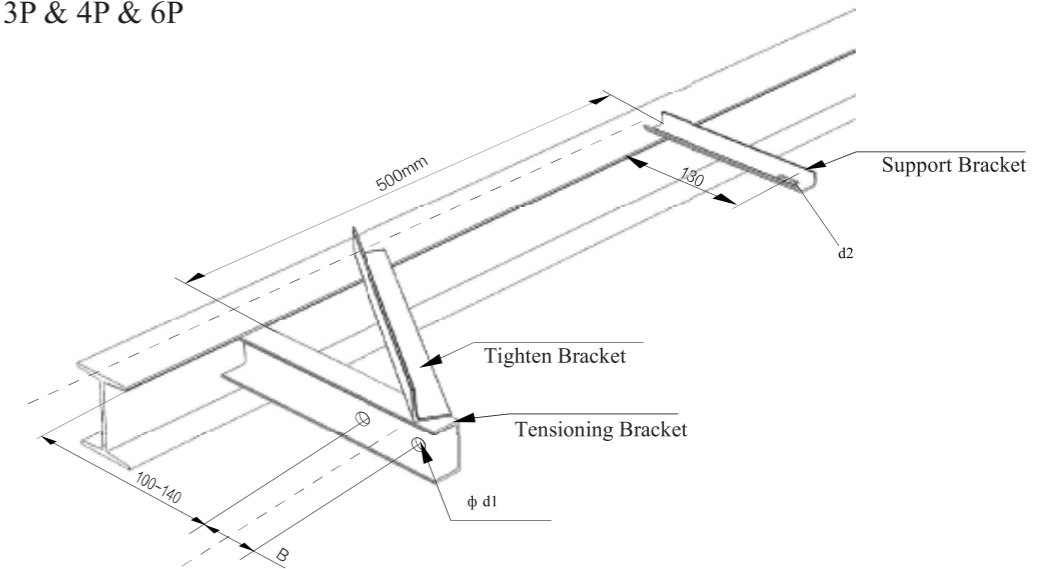
HTR Accessories - Line Feeding  
HTR-LF-3P/4P



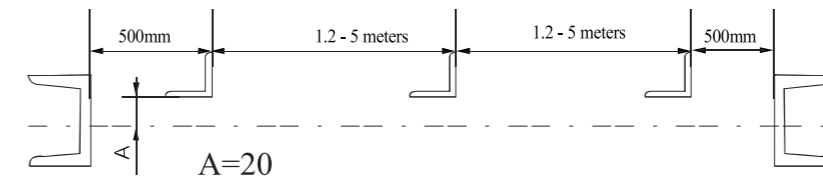
Type	Poles	A	B	Max.Voltage	Max.Current	Weight (kg)
HTR-LF-3P	3	120	70	600V	140A	0.22
HTR-LF-4P	4	120	90	600V	140A	0.31

## Installation Guide

### Vertical Design 3P & 4P & 6P



### Step1. Support Design



Remark:

- 1) The side design installment is recommended when a camber occurs to the 3-6P safety power rail assembly
- 2) The hanger clamps are supposed to be installed every 0.5meter from the starting point of the running.
- 3) The 3-6P tension part for safety power rails must be installed at the place about 10mm higher than the hanger clamp  
This step prevents water from flowing to the power-in place along the safety power rails; so the short circuit will not happen
- 4) The silica gel must be coated on the connected place of the power-in part and safety power rail as weather protection
- 5) The 3-6P safety power rails are not suitable for outdoor usage or the place with high acidic/alkaline environments